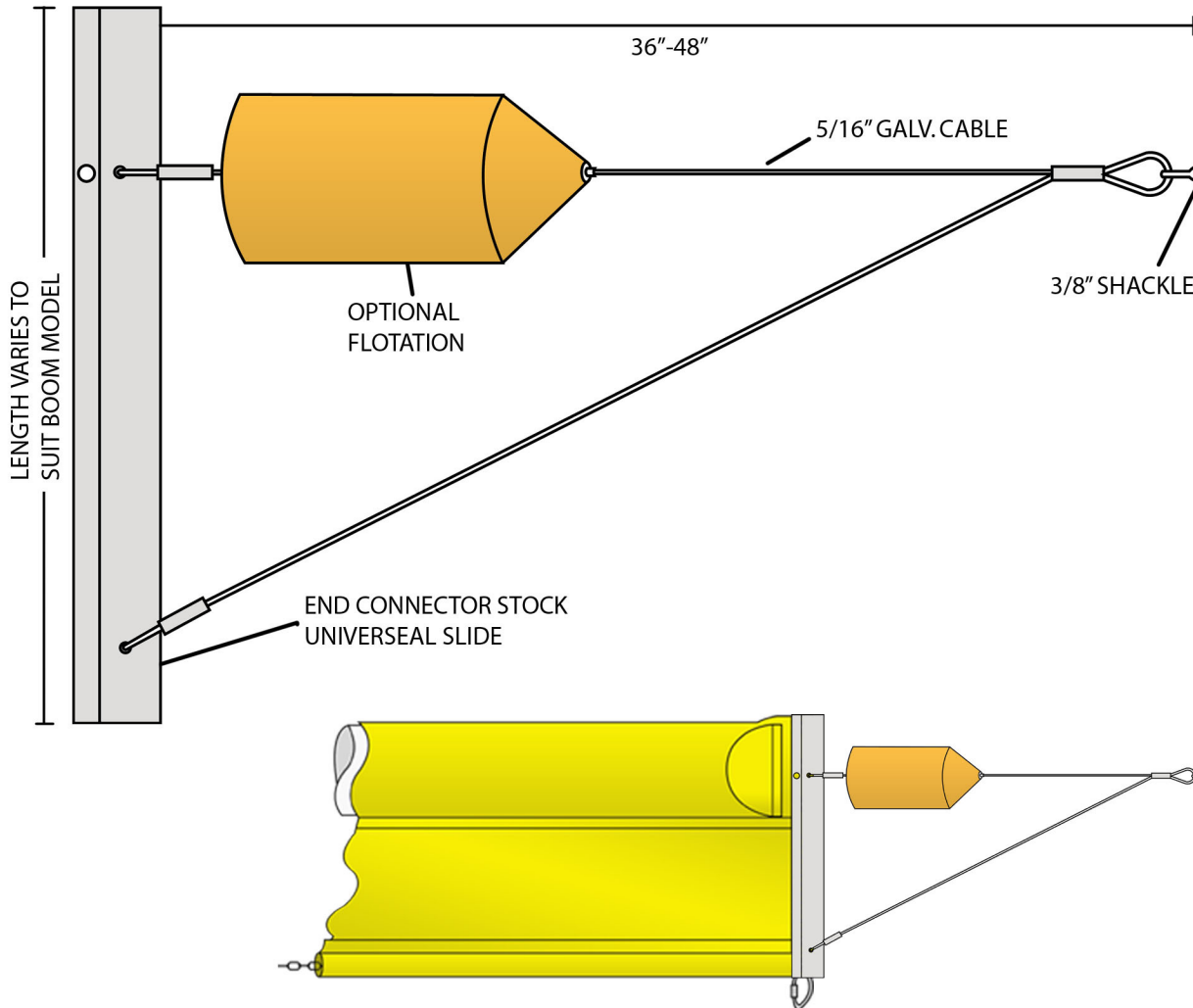
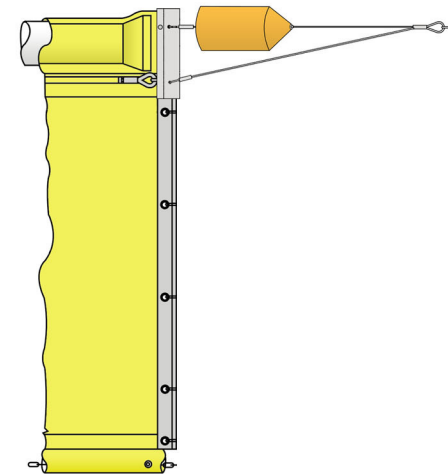


Tow Bridle With Float



Assembled tow bridles with floats are provided for handling the containment boom or silt curtain in the water. Prior to deployment, the connector on the tow bridle should be mated to the end connector on the boom and secured with a toggle pin. The shackle on the tow bridle will accept a line up to 3/4" in diameter.



1309 West Main St. Carmi, IL 62821
Phone: 618-382-2525 Fax: 618-382-3610

401 Shearer Blvd. Cocoa, FL 32922
Phone: 321-636-5783 Fax: 321-636-5787

Email: elastec@elastec.com www.elastec.com